

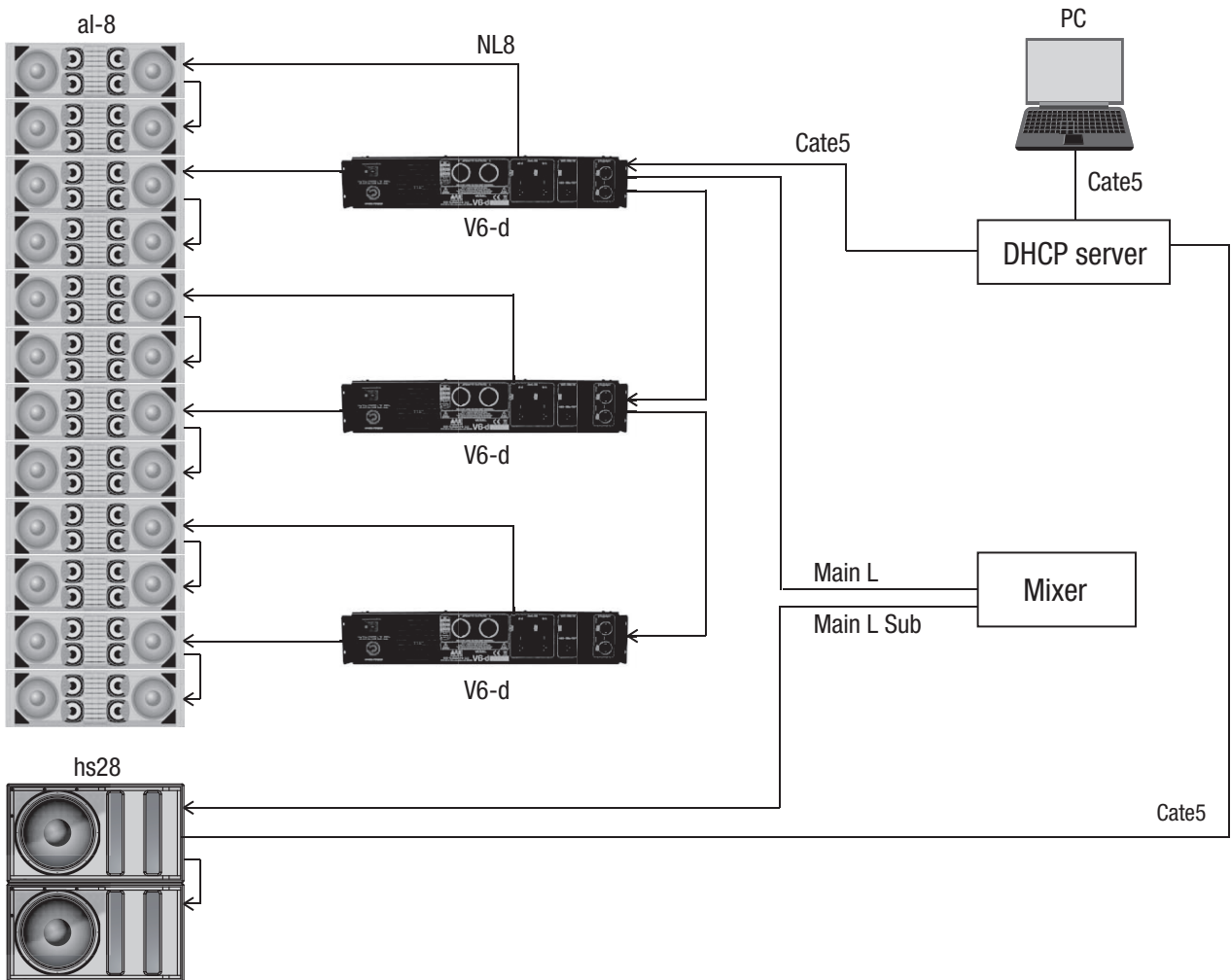


Product **al-8**

The most significant feature of the VUE Audiotechnik al-8 line array is the transducer designed and developed in-house. A pair of 1 inch throats and a neodymium compression driver with built-in Truextent™ beryllium diaphragm is used in HF. Compared to the conventional aluminum and titanium HF drivers, this dramatically improves high frequency extension and linear response. The driver which is firmly attached to the accurate wave guide reduces audio side lobe providing users with the ideal coupling for line array.

System Diagram

L Side



| | Product Name | Manufacturer | Model No. | Standard Price |
|-----------|---------------------------------|------------------|-----------|----------------|
| Speaker | Compact Line Array | VUE audiotechnik | al-8 | Negotiable |
| Subwoofer | Subwoofer Built-in to Amplifier | VUE audiotechnik | hs28 | Negotiable |
| Amp | System Engine | VUE audiotechnik | V6-d | Negotiable |

| | | | |
|-----------|--|---------|---|
| Exhibitor | Eastern Sound Factory Corporation | Contact | http://esfactory.co.jp 045-548-6592 |
|-----------|--|---------|---|