

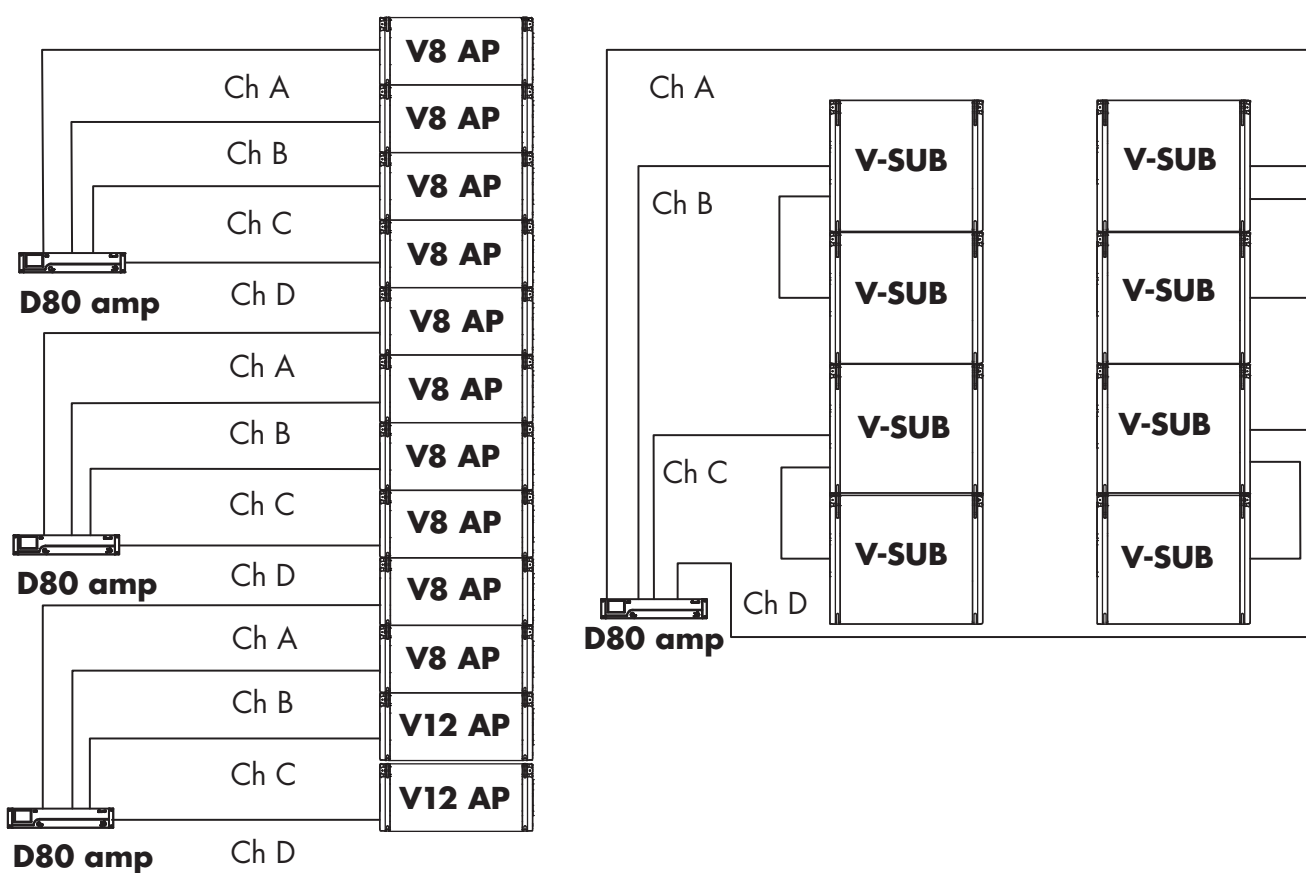


Product

### d&b audiotechnik ArrayProcessing (V-Series)

ArrayProcessing technology from d&b announced in April of 2015 has array control functions which can be used in the line array systems J-Series, V-Series and Y-Series and is included in d&b amplifier firmware. These functions enable an optimal balance between system sound quality and level defined by the mechanical vertical coverage angles of the d&b line array system which is already highly acclaimed worldwide covering the entire audience listening area.

#### System Diagram



\* AP= ArrayProcessing

	Product Name	Manufacturer	Model No.	Standard Price
Speaker	V8/V12	d&b audiotechnik	Z0515/Z0516	Negotiable
Subwoofer	V-SUB	d&b audiotechnik	Z0518	Negotiable
Amp	D80 Amplifier	d&b audiotechnik	Z2710	Negotiable
Processor	ArrayProcessing	d&b audiotechnik	N/A	Free

Exhibitor

**d&b audiotechnik Japan**

Contact

[www.dbaudio.com](http://www.dbaudio.com)  
045-595-4001